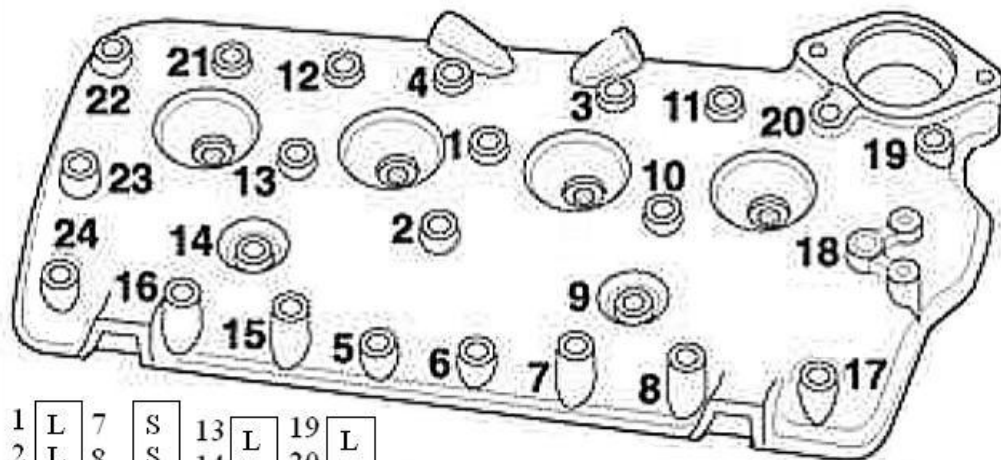


Flathead Cylinder Head Tightening Sequence

Bolt Torque
65-70 Ft.
Lbs.

Nuts should be tightened from the center outward.



| | | | | | | | |
|---|---|----|---|----|---|----|---|
| 1 | L | 7 | S | 13 | L | 19 | L |
| 2 | L | 8 | S | 14 | S | 20 | L |
| 3 | L | 9 | S | 15 | S | 21 | L |
| 4 | L | 10 | L | 16 | S | 22 | L |
| 5 | S | 11 | L | 17 | S | 23 | L |
| 6 | S | 12 | L | 18 | L | 24 | S |

Head Bolts

Long - 7/16 - 14 x 2.62" 8BA-6066-A

Short - 7/16 - 14 x 1.94" 8BA-6065